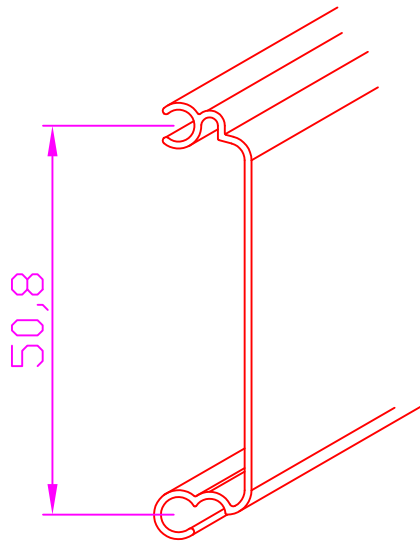
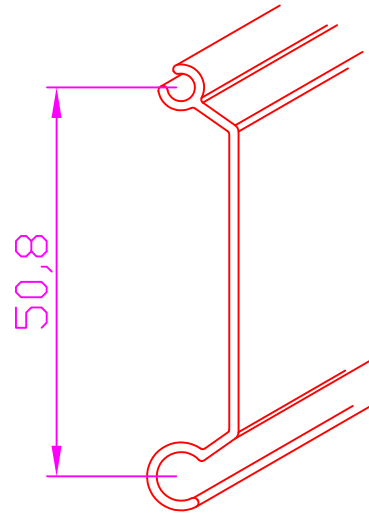


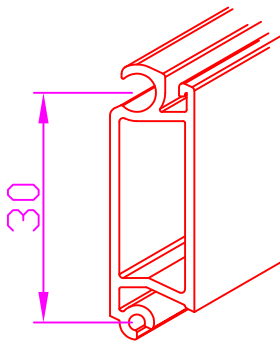
Aluminium Lath



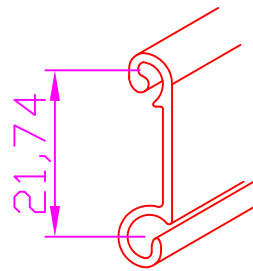
50mm Aluminium Lath
 Standard Coil



50mm Aluminium Lath
 Reverse Coil



Nyloy 30 Aluminium
 Box Lath



1EA Lath

Aluminium Lath

SCALE

NTS

DOVER VANGUARD ROLLER SHUTTERS

Coldhurst Street
 Oldham lincs OL1 2DN
 UK

CONFIDENTIAL NOTE: This drawing and its designs, specifications and engineering information disclosed hereon are the property of DOVER VANGUARD ROLLER SHUTTER P/L and are not to be disseminated or reproduced without express written consent. The drawing is loaned in confidence and then only for consideration of the matter disclosed hereon. In accepting loan of this drawing, the recipient agrees to keep it and the matter disclosed hereon in confidence and not to use nor permit their use in any way detrimental to DOVER VANGUARD ROLLER SHUTTER P/L.

DRAWN
 H.P.L.Y

Telephone: 0161 652 3498 Fax: 0161 627 2697

CHECK:
 T.N

SPONSOR:

DATE
 01/07/09

DWG No:
 DOV-0012

PART No: