

E81 MINI EXTRUDED ALUMINIUM SHUTTER

Opening Size Up To 2000mm wide x 2400mm high

Specification:

Slat:
25mm x 1.2mm extruded aluminium.
interlocking nylon end clips fitted to end of each slat.

Side Guide (track):
25mm x 16mm extruded aluminium

Bottom Rail:
Extruded aluminium section, 50mm high fitted with half-round PVC seal

Operation:
Rolling, spring counter balanced, hand operated or electric, and sliding gravity feed.

Locking:

shoot bolts, polished or plain aluminium standard.L&F flush locks, key operated, T handles, locking or non-locking.

Rolling operating components:

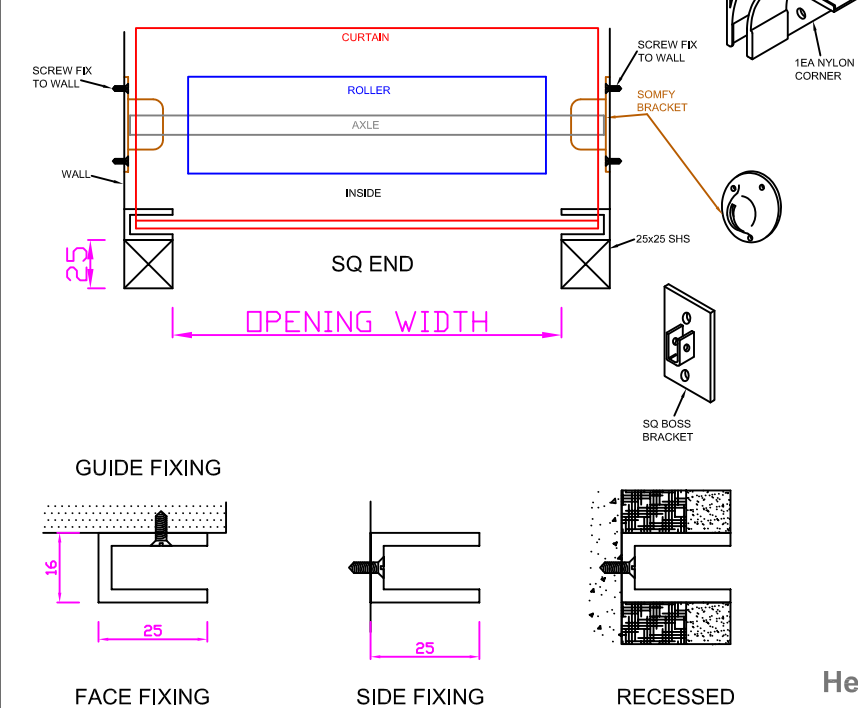
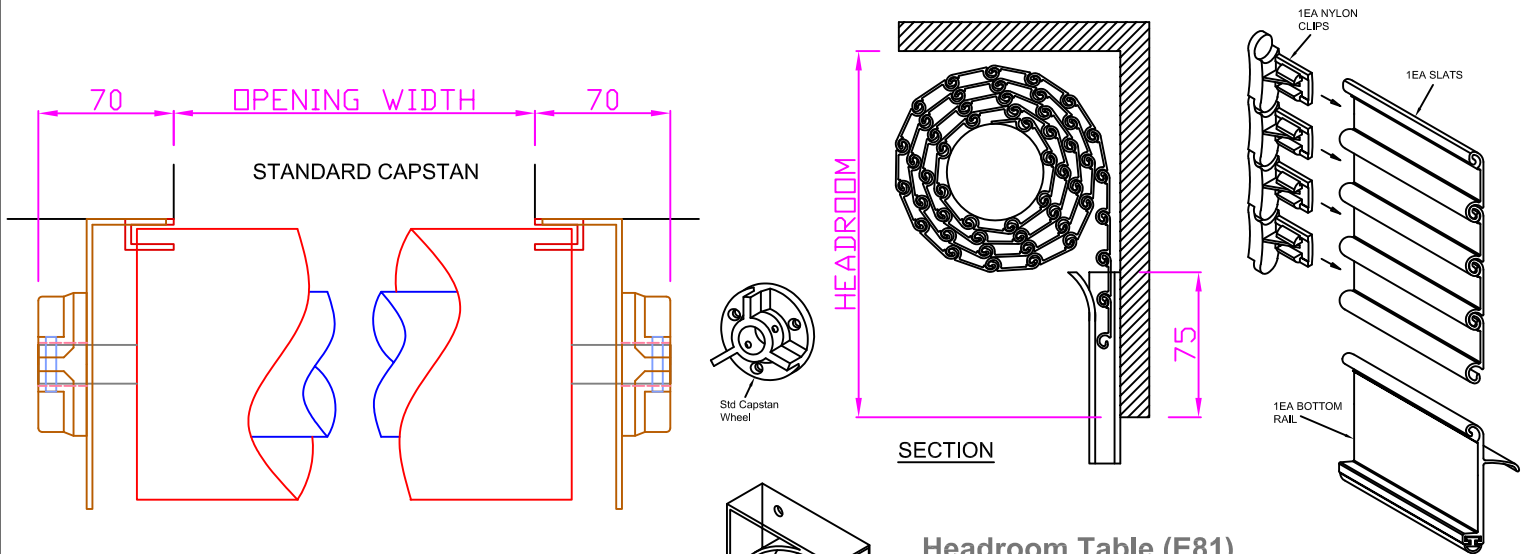
Roller: 50mm, 75mm or 100mm lightweight steel or aluminium tube encasing helical coil spring.

Brackets:

Fabricate from mild steel to suit applications

Sliding operating components:

Guides incorporating moulded nylon corner segments.



Headroom Table (E81)

OPENING HEIGHT	DIA. OF ROLL		
	50mm TUBE	75mm TUBE	100mm TUBE
300	130	140	160
400	130	160	160
500	130	160	180
600	140	160	180
700	140	160	180
800	140	180	180
900	160	180	180
1000	160	180	200
1200	160	200	200
1400	180	200	220
1600	180	200	220
1800	200	210	220
2000	200	210	240
2200	200	230	240
2400	220	230	240

Headroom required = DIA. OF ROLL + 75mm

E81-MINI Extruded Aluminium Shutter

CONFIDENTIAL NOTE: This drawing and its designs, specifications and engineering information disclosed hereon are the property of DOVER VANGUARD ROLLER SHUTTER P/L and are not to be disseminated or reproduced without express written consent. The drawing is loaned in confidence and then only for consideration of the matter disclosed hereon. In accepting loan of this drawing, the recipient agrees to keep it and the matter disclosed hereon in confidence and not to use nor permit their use in any way detrimental to DOVER VANGUARD ROLLER SHUTTER P/L.

SCALE	DOVER VANGUARD ROLLER SHUTTERS	
NTS	Coldhurst Street Oldham lincs OL1 2DN UK	
DRAWN H.P.LY	Telephone: 0161 652 3498 Fax: 0161 627 2697	
CHECK: T.N	SPONSOR:	
DATE 25/06/09	DWG No: DOV-0027	PART No: