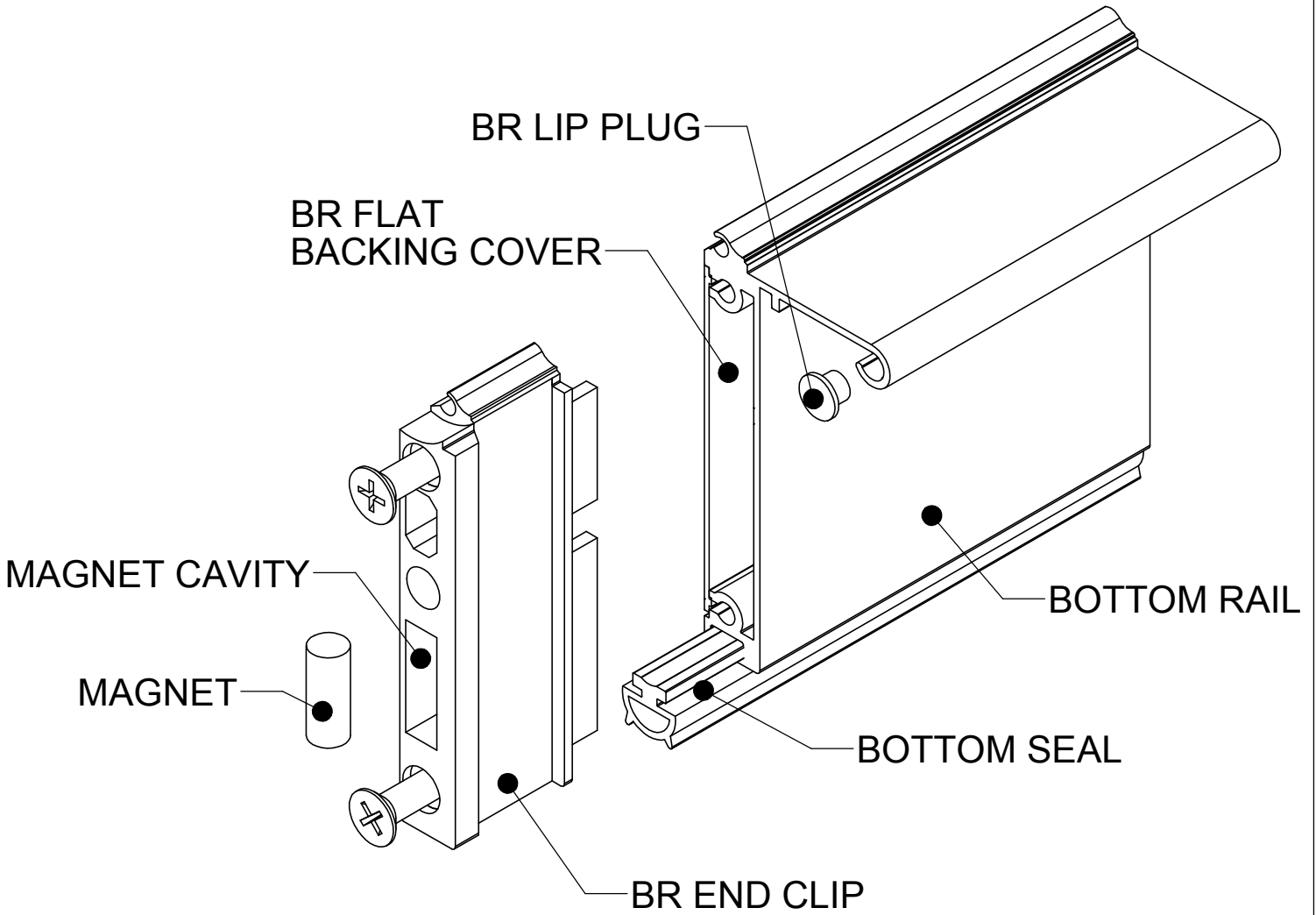


BOTTOM RAIL



<p align="center">BOTTOM RAIL</p>	<p>SCALE NTS</p>	<p align="center">DOVER VANGUARD ROLLER SHUTTERS LIMITED</p>	
<p><i>CONFIDENTIAL NOTE: This drawing and its designs, specifications and engineering information disclosed hereon are the property of DOVER VANGUARD ROLLER SHUTTERS LIMITED and are not to be disseminated or reproduced without express written consent. The drawing is loaned in confidence and then only for consideration of the matter hereon. In accepting loan of this drawing, the recipient agrees to keep it and the matter disclosed hereon in confidence and not to use nor permit their use in any way detrimental to DOVER VANGUARD ROLLER SHUTTERS LIMITED.</i></p>	<p>DRAWN H.P.LY</p>	<p>Coldhurst Street, Oldham, OL12DN England</p>	<p>Phone: 0161 652 3498 Fax: 0161 627 2697</p>
	<p>DATE 29/11/12</p>	<p>DWG No: N35 - BOTTOM RAIL</p>	