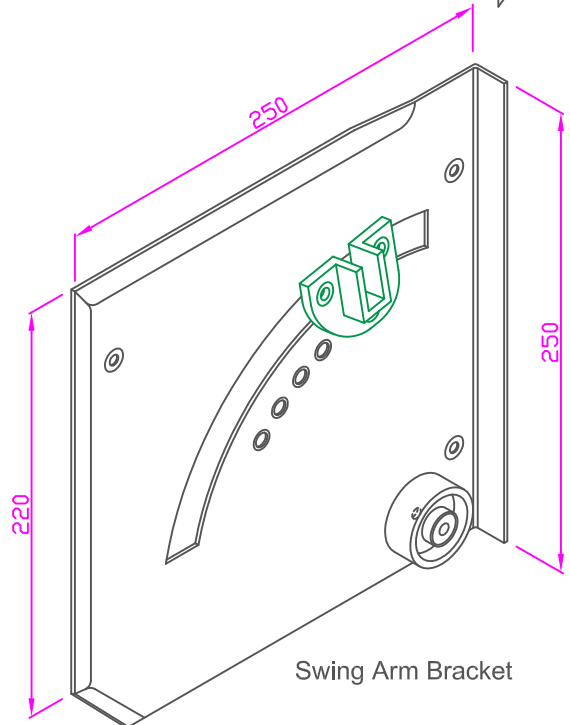
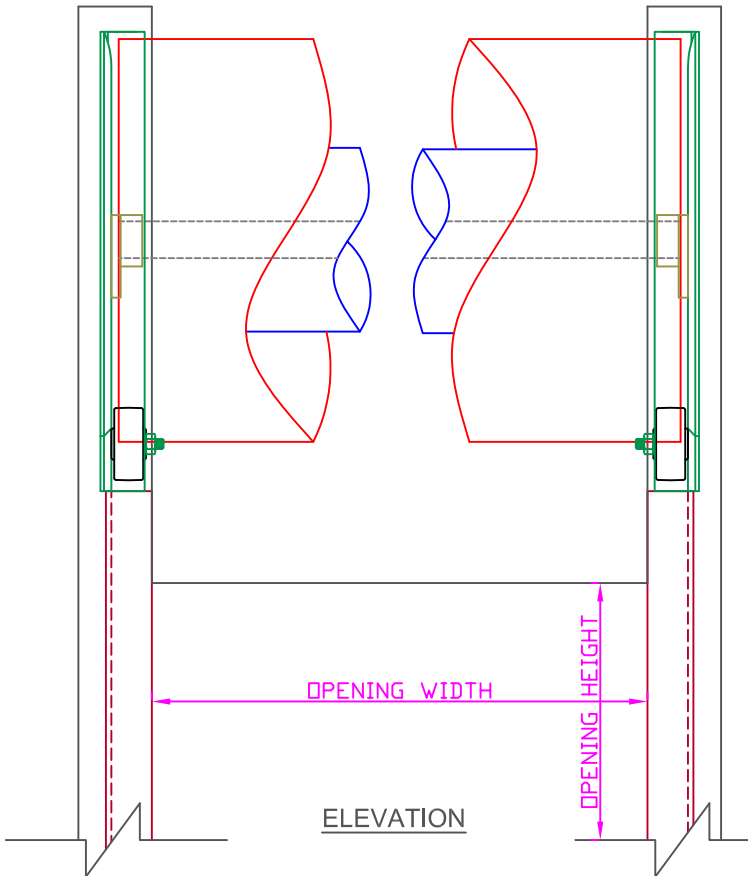
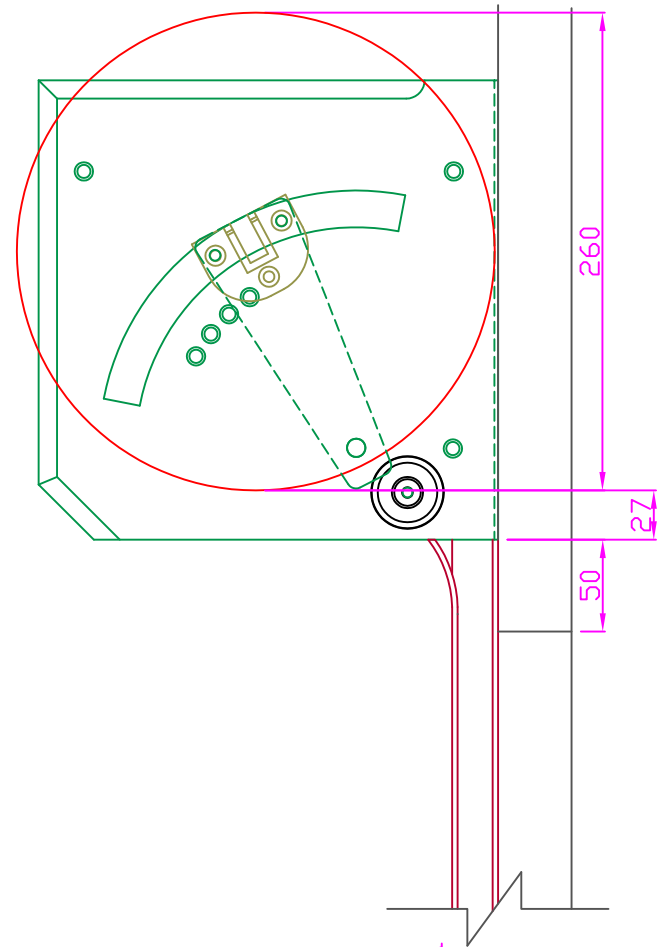
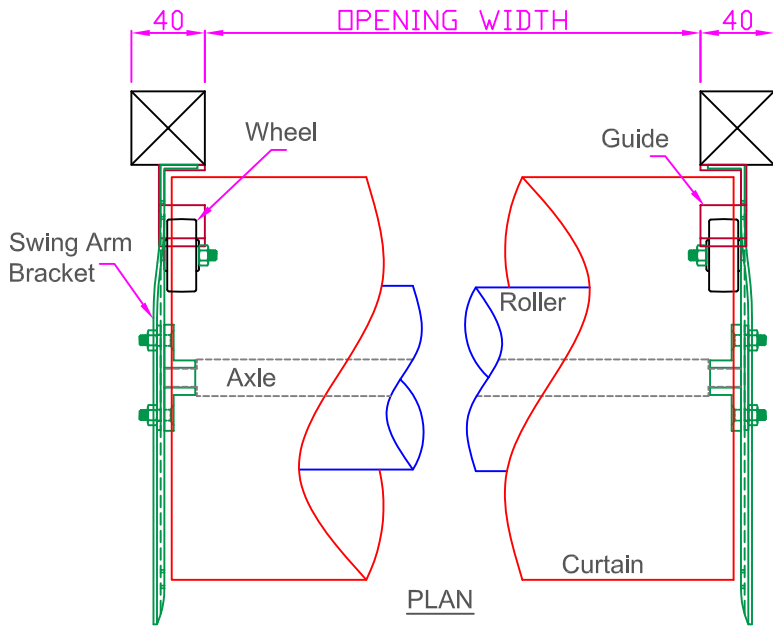


TRUCK SHUTTER - SWING ARM BRACKET



TRUCK SHUTTER - SWING ARM BRACKET

SCALE

NTS

DRAWN
H.P.LY

CHECK:
T.N

DATE
15/06/09

DOVER VANGUARD ROLLER SHUTTERS

Coldhurst Street
Oldham lincs OL1 2DN
UK

Telephone: 0161 652 3498 Fax: 0161 627 2697

SPONSOR:

DWG No:

DOV-0002

PART No:

CONFIDENTIAL NOTE: This drawing and its designs, specifications and engineering information disclosed hereon are the property of DOVER VANGUARD ROLLER SHUTTER P/L and are not to be disseminated or reproduced without express written consent. The drawing is loaned in confidence and then only for consideration of the matter disclosed hereon. In accepting loan of this drawing, the recipient agrees to keep it and the matter disclosed hereon in confidence and not to use nor permit their use in any way detrimental to DOVER VANGUARD ROLLER SHUTTER P/L.