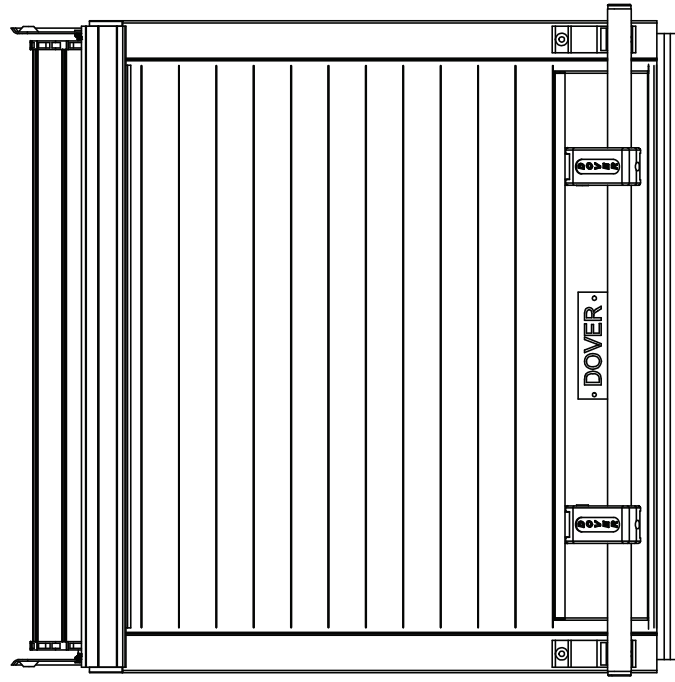


PLAN

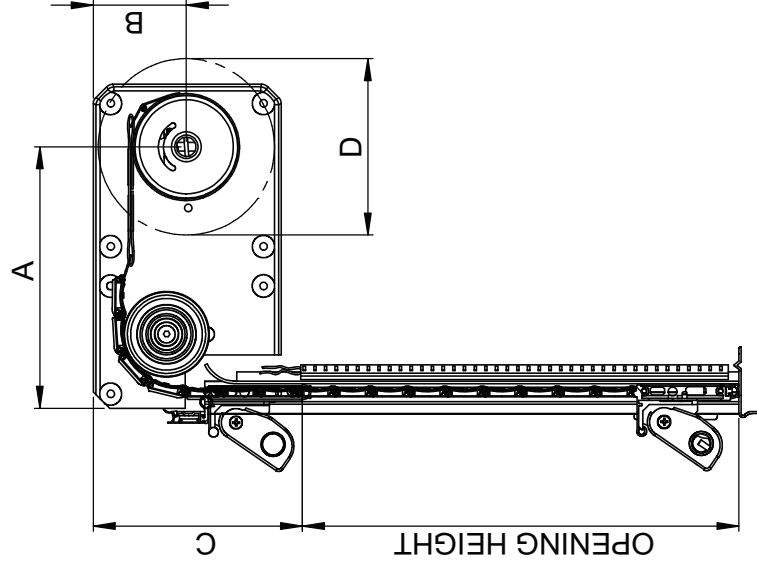


ELEVATION

Size Chart

Tube	Opening Height(mm)	A	B	C	D	
75mm	500	209	90	180	55	
	750	209	90	180	65	
	1000	209	90	180	75	
	1250	209	90	180	80	
	1500	209	90	180	85	
	1750	220	100	180	90	
	1750	1750	234	115	180	100
	2000	2000	234	115	180	100
	2250	2250	234	115	180	105
	2500	2500	247	130	180	110

All dimensions in mm



SIDE VIEW

N35 - ROLLER SHUTTER PROJECTION

CONFIDENTIAL NOTE: This drawing and it's designs, specifications and engineering information disclosed hereon are the property of DOVER VANGUARD ROLLER SHUTTERS LIMITED and are not to be disseminated or reproduced without express written consent. The drawing is loaned in confidence and then only for consideration of the matter hereon. In accepting loan of this drawing, the recipient agrees to keep it and the matter disclosed hereon in confidence and not to use nor permit their use in any way detrimental to DOVER VANGUARD ROLLER SHUTTERS LIMITED.

SCALE
N.T.S

DRAWN
H.P.L.Y

DATE
29/11/12

DOVER VANGUARD ROLLER SHUTTERS LIMITED
Coldhurst Street,
Oldham, OL12DN
England
Phone: 0161 652 3498
Fax: 0161 627 2697

DWG/Part No:

N35 - PROJECTION