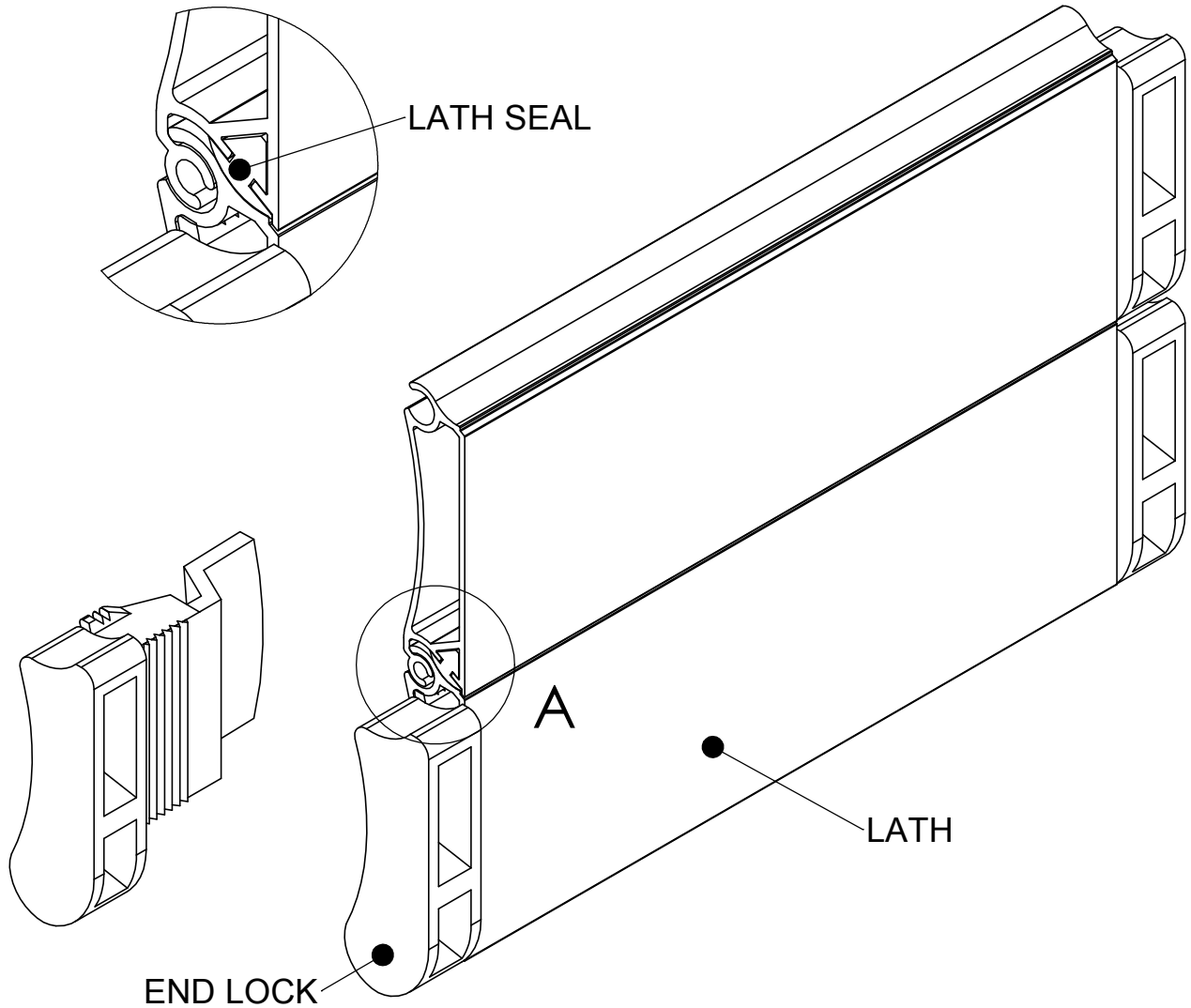


LATH DETAIL



**LATH DETAIL**

SCALE  
NTS

**DOVER VANGUARD ROLLER  
SHUTTERS LIMITED**

*CONFIDENTIAL NOTE: This drawing and its designs, specifications and engineering information disclosed hereon are the property of DOVER VANGUARD ROLLER SHUTTERS LIMITED and are not to be disseminated or reproduced without express written consent. The drawing is loaned in confidence and then only for consideration of the matter hereon. In accepting loan of this drawing, the recipient agrees to keep it and the matter disclosed hereon in confidence and not to use nor permit their use in any way detrimental to DOVER VANGUARD ROLLER SHUTTERS LIMITED.*

DRAWN  
H.P.LY

Coldhurst Street,  
Oldham, OL12DN  
England

Phone: 0161 652 3498

Fax: 0161 627 2697

DATE  
29/11/12

DWG No:

N35 - LATH DETAIL